

KANGA MULTI-TASK COMPACT SKID STEER LOADERS

S  
E  
E  
S  
S  
N



ADVANCED ENGINEERING TURNING HARD WORK INTO EASY BUSINESS

# THE 2 SERIES KANGA MULTI-TASK COMPACT

## Every Kanga is engineered for safe, user-friendly operation.

### Peace-of-mind.

Kanga strictly adhere to government guidelines for Workplace Health and Safety and operate under World's Best Practices incorporating H.A.V (Hand Arm Vibration) standards as well as internationally recognised Risk Management studies and procedures.

No wonder individuals and businesses, looking for the best value multi-task compact skid-steer on the market, turn to Kanga.

All models incorporate standard features that offer Kanga operators an edge in power, speed, durability, ease-of-use and safety. If you compare you will see why Kanga multi-task compact skid-steer loaders are being successfully exported to rapidly-expanding markets throughout the world.

### Standard Kanga features

#### ✓ Self-levelling bucket

Linkage makes it impossible for operator to tip load over self or machine. Reduces cycle times.

**Safe**, easy operation even for the 'handyman'.

#### ✓ Generous bucket rollback

Allows easy filling and **safe** transportation without load spillage, arms fully lowered (lower centre of gravity).

#### ✓ Correctly sized bucket

Ensures load is limited to rating (wet gravel or sand)

#### ✓ Machine balance

Superior design enables loader to remain balanced either fully loaded or bucket removed.

#### ✓ Safety relief valve

Prevents unsafe overloading of systems.

#### ✓ Rupture-proof fuel tank

Heavy gauge steel.

#### ✓ Perforated operator platform

Non-slip, free from hot engine obstruction.

#### ✓ Soft-touch controls

Simple, easy-to-understand control panel – minimises operator fatigue.

#### ✓ Certificate of Engineering

'CE' Conformité Européene (Quality consistency)

#### ✓ Safety auxiliary cut-out

Safety auxiliary cut out (operator presence).

#### ✓ Long-life linkage pins

Greasable.

#### ✓ Enclosed hydraulic wheel motors

Prevents damage, yet easily accessible.

#### ✓ Vee Twin petrol engine

The right capacity to suit your needs and budget.

#### ✓ Heavy duty Donaldson air cleaner (option)

**Fastest Quick Hitch.**  
Change attachments in seconds.

**Powerful Vee  
Twin engine**

**Choice of heavy duty  
wheels or tracks**



# PACT SKID STEER LOADER – KID POWER

## World's smallest, most user-friendly mini loader



Full-flow auxiliary hydraulic power outlet

Optional back protection bars

Improved soft touch controls even smoother to drive.  
Improved operator ergonomics.  
Improved safety, all controls deadman type

Large operators platform, wide stance for improved safety and fatigue reduction.

The Powerful 16HP Vee Twin Honda engine provides more than enough horsepower to get the toughest jobs done quickly and easily.

The Kanga Kid 2 Series mini skid loader is available with either wheels or rubber tracks.

A special range of quick hitch attachments makes **Kanga Kid** the World's most versatile and safest mini equipment, capable of digging, carrying, trenching, post-holing, planting, levelling and much more. Reduces your labour costs dramatically and improves productivity.



KANGA 2 SERIES MULTI-TASK COMPACT SKID STEER LOADERS • SPECIFICATIONS

PERFORMANCE	TK216		KK216	
	Max. Lift Capacity	100 kg	220 lbs	100 kg
Travel Speed	5.4 km/h	3.4 mph	5.4 km/h	3.4 mph
Operating Weight (inc. 4in1 Bucket)	546 kg	1204 lbs	516 kg	1138 lbs
Fuel Capacity	8.5 L	2.25 US gal	8.5 L	2.25 US gal

**ENGINE**

	TK216		KK216	
Manufacturer	Honda GXV 530		Honda GXV 530	
Power	11.5 kW	16 hp	11.5 kW	16 hp

**DRIVE SYSTEM**

	TK216	KK216
Drive Control	Soft Touch Hand Levers	Soft Touch Hand Levers
Throttle Control	Hand Levers	Hand Levers
Tracks/Wheels	Tracks, Direct Drive Hydraulic Motors	Wheels, Direct Drive Hydraulic Motors

**HYDRAULICS**

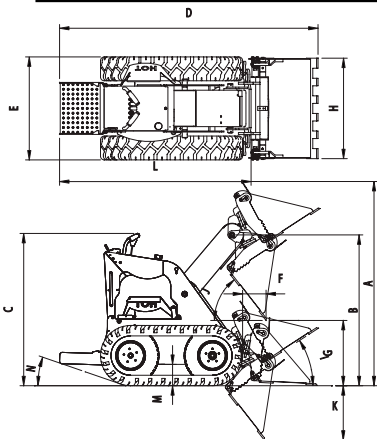
	TK216	KK216
Gear Pump Displacement	6.2 cc/rev	0.38 cu.in/rev
Pump Output	22 L/min	5.8 US gal/min
System Pressure	186 bar	2700 psi
Hyd. Reservoir Capacity	51.5 L	13.6 US gal

**BUCKETS**

	TK216	KK216
Standard Bucket Capacity	0.075 m³	2.65 cu.ft
4 in 1 Bucket Capacity	0.075 m³	2.65 cu.ft

**DIMENSIONS**

	TK216	KK216
<b>A</b> Max Operating Height	1580 mm	62.2"
<b>B</b> Height to Hinge Pin	1185 mm	46.7"
<b>C</b> Overall Height	1210 mm	47.6"
<b>D</b> Overall Length With Bucket	2070 mm	81.5"
<b>E</b> Overall Track/Wheel Width	800 mm	32.3"
<b>F</b> Bucket Reach at 40°	340 mm	13.4"
Bucket Max Reach (Level)	840 mm	33.1"
<b>G</b> Dump Height Std. Bucket	595 mm	23.4"
Dump Height 4 in 1 Bucket	1185 mm	46.7"
<b>H</b> Bucket Width	800 mm	31.5"
<b>I</b> Bucket Max Roll Back	36°	
<b>J</b> Bucket Max Dump Angle	48°	
<b>K</b> Ground Penetration	435 mm	17.1"
<b>L</b> Overall Length Less Bucket	1560 mm	61.4"
<b>M</b> Ground Clearance	160 mm	6.3"
<b>N</b> Angle of Departure	36°	
Approach Angle	90°	



Due to a policy of on-going research and development, Kanga reserves the right to change equipment specifications without prior notice. Please contact your Kanga Dealer for further information.



Dealer Stamp

**Australian designed, Australian made, Australian owned. For the complete range of Kanga Loaders, visit [www.kanga-loader.com](http://www.kanga-loader.com)**

For further information or details of your nearest Kanga dealer  
 Phone **1800 243 643** or email: [sales@kanga-loader.com](mailto:sales@kanga-loader.com)

AUSTRALIA: Brisbane • Gold Coast • Sydney • Canberra • Melbourne • Adelaide • Perth  
 NEW ZEALAND • UNITED KINGDOM • USA • SOUTH AFRICA



ADVANCED ENGINEERING TURNING HARD WORK INTO EASY BUSINESS